

NOTES

1. ALLOTMENT CONNECTION TEE NOT REQUIRED ON RISER FOR SURFACE INLET OPENING (SIO) APPLICATION.
2. REFER DESIGN PLANS FOR LOCATION AND DEPTH OF ALL CONNECTIONS.

REV	DESCRIPTION	APP'D	DATE
0	ORIGINAL ISSUE	MdeH	15/06/12

NOT TO SCALE
ALL DIMENSIONS ARE IN MILLIMETRES UNLESS SHOWN OTHERWISE

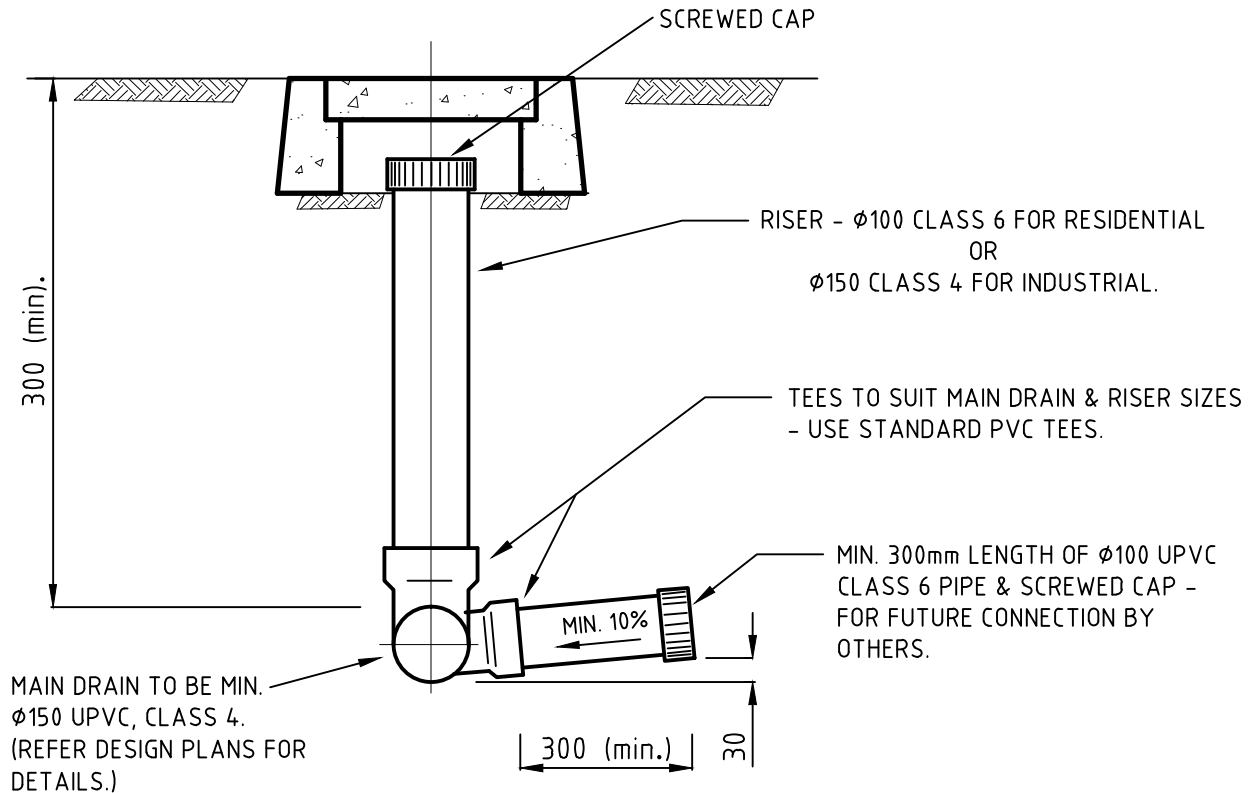


DC of Mt Barker
6 Dutton Rd.,
Mt. BARKER 5251
PH: (08) 8391 7200
FAX: (08) 8391 7299

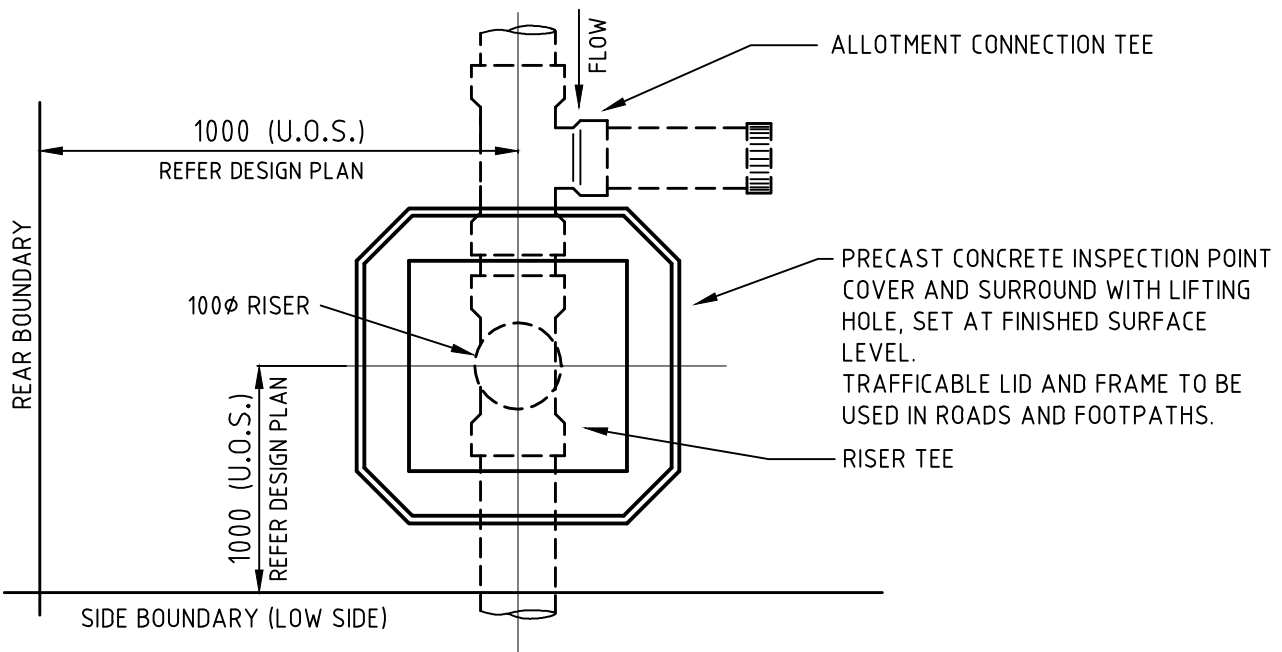
DISTRICT COUNCIL OF MOUNT BARKER

STORMWATER DRAINAGE STANDARD DETAILS:
ON LINE ALLOTMENT DRAINAGE CONNECTION (TYPE 1)
OR SURFACE INSPECTION OPENING

Drn: ..FYFE... App'd: MdeH... Date: 15/06/2012 Rev: 0..... REF: SWD - 01



SECTION



PLAN

NOTES

1. REFER DESIGN PLANS FOR LOCATION AND DEPTH OF ALL CONNECTIONS.

REV	DESCRIPTION	APP'D	DATE
0	ORIGINAL ISSUE	MdeH	15/06/12

NOT TO SCALE
ALL DIMENSIONS ARE IN MILLIMETRES UNLESS SHOWN OTHERWISE



DC of Mt Barker
6 Dutton Rd.,
Mt. BARKER 5251
PH: (08) 8391 7200
FAX: (08) 8391 7299

DISTRICT COUNCIL OF MOUNT BARKER

STORMWATER DRAINAGE STANDARD DETAILS:
ON LINE ALLOTMENT DRAINAGE CONNECTION (TYPE 2)
FOR 300mm MINIMUM COVER

Drn: ..FYFE... App'd: MdeH... Date: 15/06/2012 Rev: 0..... REF: SWD - 02